

HAEBERLE

multifunctional medical
cart systems ...and more



Equipment cart system
... flexible and versatile



The system parts:

- sturdy and very versatile chassis frame with high-grade quality castors. Front castors lockable and fitted with wall deflectors.
- stable single-support aluminium profile for multiple socket boards, with large integrated cable channel for optimal accommodation of cables.
- high-quality trays made of ABS plastic with shaped edge and recessed grip or steel-plates.
- drawers made of high-grade ABS plastic. With ultra light ball telescopic guide to be mounted under a tray. Assembly of several drawers is possible.
- produced as standard with ergonomic push handle, high-grade powder-coated RAL 9006 white aluminium.
- modern design with colour accents in 5 different decoration colours. For an extra charge also available in special colours.
- extensive accessories for many fields of application.

In the medical sector, fuego equipment carts are ideally suited for the mobile and flexible accommodation of smaller equipment - as computer carts, endoscopy carts, ergometry carts, ECG carts, lift carts with stepless height adjustment for sitting or standing work positions, and much more.

They are also suitable for use in all types of offices and meeting rooms where the elegant fuego carts offer mobile solutions, e.g. for video presentations, as mobile lecterns, as occasional carts ...and more.

In addition to high functionality, the exceptional design and discreet colours of fuego equipment carts are also convincing. They are versatile, flexible, very sturdy and offer plentiful storage on a small footprint.

Ideal for small rooms or anywhere requiring a large amount of storage in a small space.

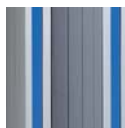
fuego is protected with a European design patent and offers reliable brand quality for a reasonable price!

Choose your decoration in 5 design colours:

In your order please specify the colour code by adding it as the last digit to the reference number:



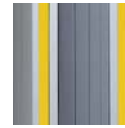
▶ xxxx.1
decorative strips
grey



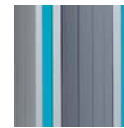
▶ xxxx.2
decorative strips
blue



▶ xxxx.3
decorative strips
red violet



▶ xxxx.4
decorative strips
yellow



▶ xxxx.5
decorative strips
turquoise

Other colour combinations or individual colours on request.

Basic carts



fuego 2
▶ Ref. no. 1907.1



fuego-cuatro equipment cart
▶ Ref. no. 1949.5



fuego 1 with drawer
▶ Ref. no. 1937.3

cart system

Computer trolleys



fuego-cuatro computer trolley 3
▶ Ref. no. 1959.1



fuego cart for notebook
▶ Ref. no. 1950.3



fuego PC trolley with lift
▶ Ref. no. 1963.2

Ergometry carts / ECG carts



fuego-cuatro ergometry cart 1
▶ Ref. no. 1962.1



fuego ergometry cart 2
▶ Ref. no. 1968.1



fuego-cuatro ECG cart 1
▶ Ref. no. 1960.5 (without suction unit)

Endoscopy cart / Sonography cart / Infusion cart



fuego endoscopy cart
▶ Ref. no. 1916.1



fuego sonography cart
▶ Ref. no. 1970.1



fuego infusion cart
▶ Ref. no. 1967.1

alegro – Monitor carrier system

with comfortable positioning versatility for single monitors, as well as for double monitoring. With the ingenious and simple adjusting mechanism alegro allows you a quickly, steplessly and precisely monitor adaption without any exertion.

alegro is horizontally and vertically rotatable, tiltable, pivotable and laterally slidable.

NEW



alegro monitor holder at profile

for stepless mounting at profile.

Load capacity up to 12 kg
► Ref. no. 25052

Load capacity up to 18 kg
► Ref. no. 25053

Special-purpose solutions

- for heavier monitors on request.

You are interested in special solutions?
Please contact our team of the
Technical Sales:
Phone +49 (0) 711/7314-50 or -72



alegro monitor holder on rod adapter.

Ideal operability.
Horizontally and vertically
rotatable, tiltable and pivotable.

Load capacity up to 12 kg
► Ref. no. 25007

Load capacity up to 18 kg
► Ref. no. 25033



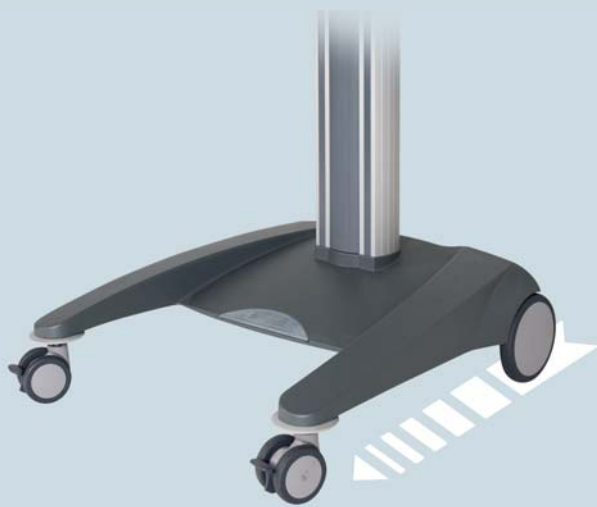
alegro holder for double monitoring

Optimum, simple synchronous
positioning of 2 monitors.
Horizontally slidable, tiltable
and pivotable.

Load capacity up to 2 x 12 kg
► Ref. no. 25002

Load capacity up to 2 x 18 kg
► Ref. no. 25028

Select your chassis



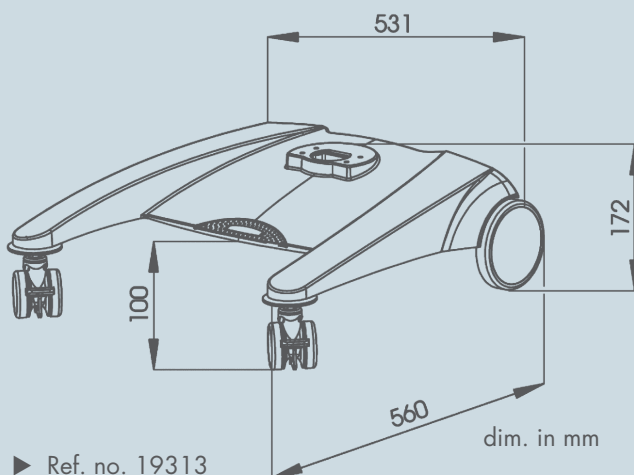
fuego chassis

Features:

- elegant
- sturdy, straight castor motion thanks
- stable cart steering, also for long distances
- 2 steerable, 2 fixed castors
- diameter of front castors 65 mm, rear castors 125 mm
- total loading capacity: 50 kg

Applications:

- as equipment tower
- as basic cart with drawer
- as notebook cart



New in the range:

Undercarriage isolating transformers mounted under the chassis of fuego or fuego-cuatro. For detailed information please refer to the separate electrical accessories list.



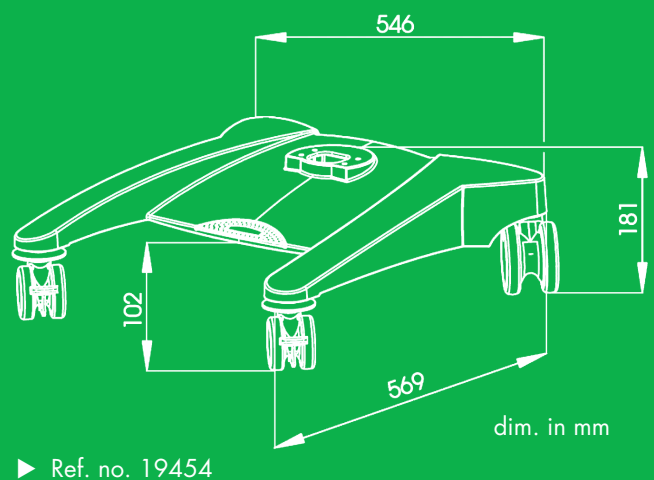
fuego-cuatro chassis

Features:

- dynamic
- smaller turning circle thanks to steerable rear castors
- ideal for applications with small working radius
- 4 steerable castors
- diameter of front castors 75 mm, rear castors 100 mm
- total loading capacity: 60 kg

Applications:

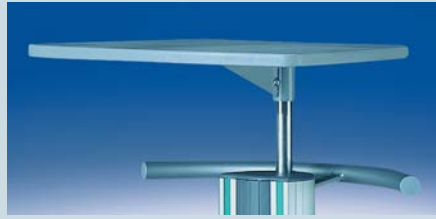
- Computer cart
- Ergometry cart
- ECG cart



multifunctional medical
cart systems ...and more



Rail for storage shelf
▶ Ref. no. 19017



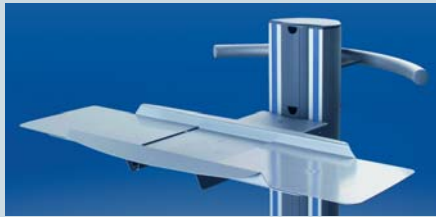
Console shelf
▶ Ref. no. 19088



PC support on right side
▶ Ref. no. 19230 (left on request)



TFT mount
▶ Ref. no. 19223



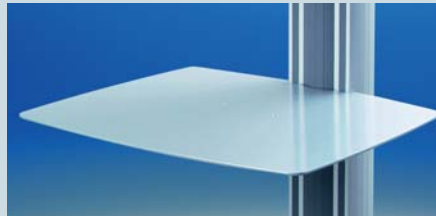
Keyboard and mouse pullout
▶ Ref. no. 19220



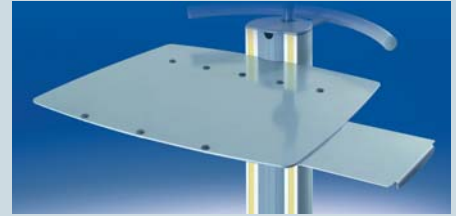
Multiple standard socket board
▶ Ref. no. 21696



Front handle for tray
▶ Ref. no. 19367



Steel tray
▶ Ref. no. 19330



Tray for notebook
▶ Ref. no. 19320



Cable and hose holder
▶ Ref. no. 19034



Infusion bottle holder
▶ Ref. no. 19035



TFT mount with keyboard
▶ Ref. no. 19222

Additional system parts and accessories you will find in the fuego price list.



Your medical distributor

HAEBERLE GmbH + Co. KG
multifunctional medical
cart systems ...and more

Breitwiesenstr. 13
DE-70565 Stuttgart
P.O.Box 800524 . DE-70505 Stuttgart
Phone +49 (0) 711/78314-0
Fax +49 (0) 711/78314-77
Email: info@haeberle-med.de
Internet: www.haerberle-med.de