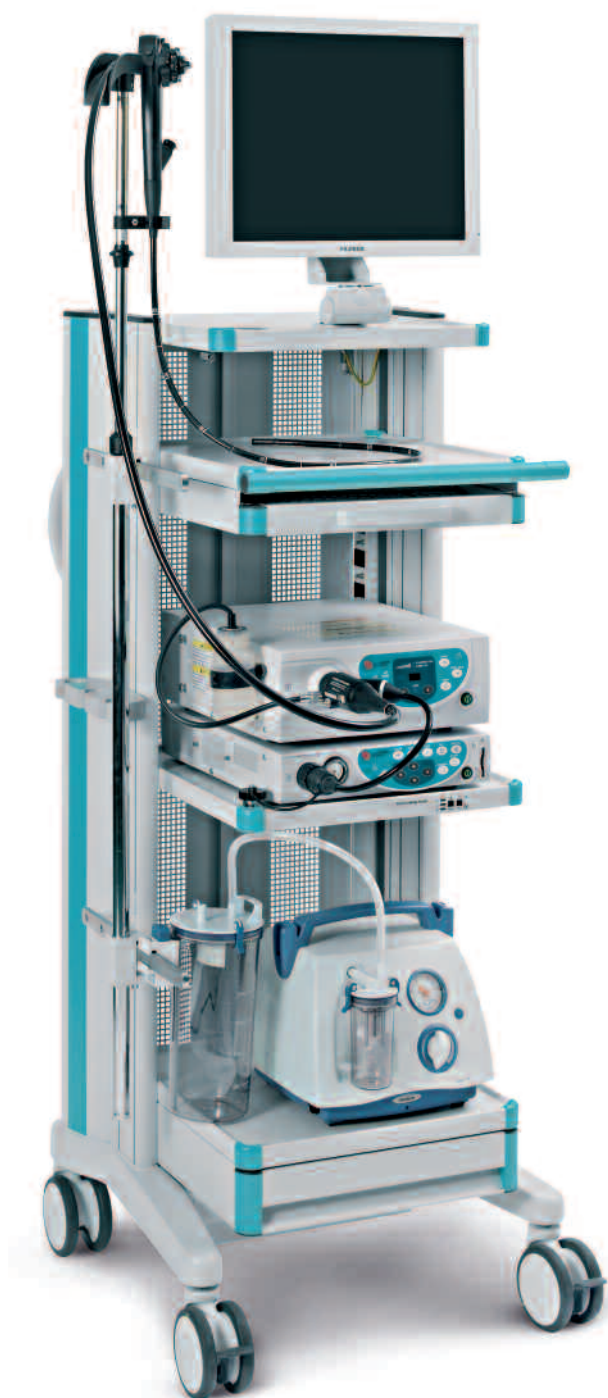




# compact-cart



# THE COMPACT CART WITH A SPECIAL MISSION

**compact-cart** offers a surprising amount of work area in a particularly compact design. The low centre of gravity and the projecting castors provide outstanding tilt stability.

The choice between the two basic frames “Economy” – for small cable volumes – and the outstanding “Profi” version with expanded routing capacity and optional isolating transformer make **compact-cart** an all-rounder in a number of areas such as

- Endoscopy and
- Ultrasound diagnosis.





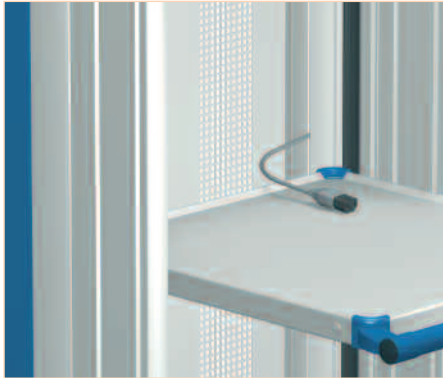
Technical data

74

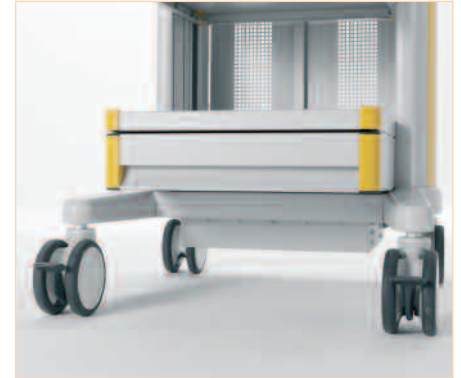
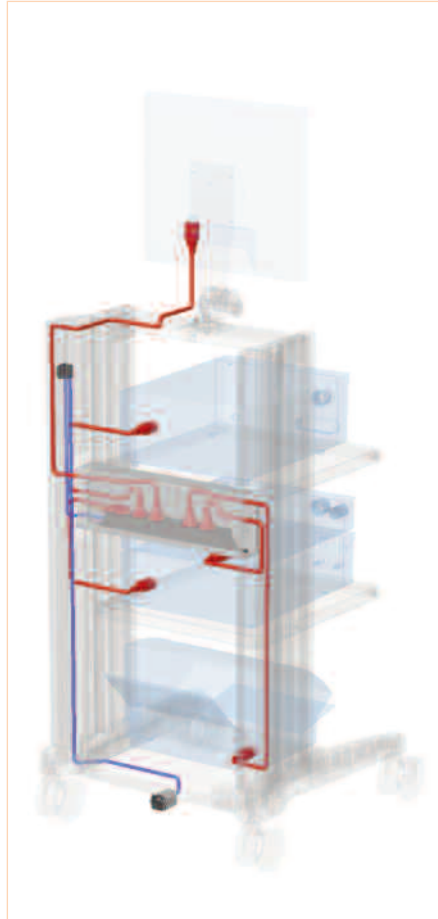
Ordering data **compact-cart**

76

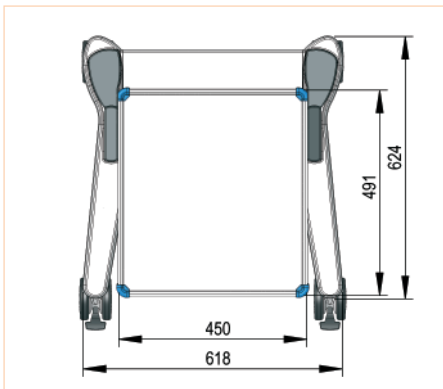
# THE IDEAL PLATFORM FOR YOUR SOLUTIONS



Soft rubber lips in the power column offer short connection lines, for e.g. easy wipe cleaning.

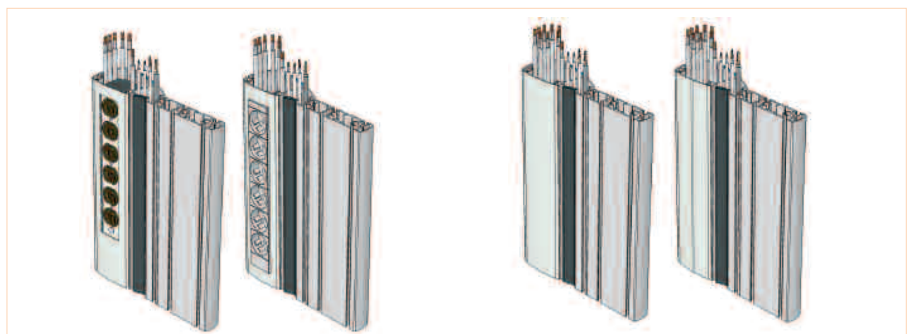


Powerful isolating transformers (1200 VA / 2000 VA) can already be installed from a width of 450 mm and can be safely incorporated in the equipment cart base.



The new design of the base gives **compact-cart** an **optimum ratio of storage area to work area**.

The optional **central power unit** accommodates socket strips and provides protection against unauthorized access.



The power columns permit as standard separate cable routing and **accommodation of all common socket strips**, e.g. hospital grade, over the entire extrusion length without losing any socket spaces.

**compact-cart** impresses in every detail

## Perfect functionality

- The basic frame is supplied in two versions:
  - ➔ The Economy version meets all your primary expectations for a functional equipment cart.
  - ➔ The Profi version offers safe cabling with power columns and many other expansion options.
- The design of the base guarantees an optimum ratio of storage area to work area.
- **compact-cart** accommodates a payload of up to 180 kg / 396 lbs and is supplied in widths of 450, 500 and 650 mm.

## Safe power supply

- Spacious power columns accommodate all standard socket strips and also protect the power supply against unauthorized access.
- Powerful isolating transformers supplied as an option with up to 2000 VA reduce earth-leakage currents.
- An optionally installed central power unit combines with the power columns to deliver virtually invisible cable management.
- A central on and off switch can be integrated in the power column.

## Smart cable management

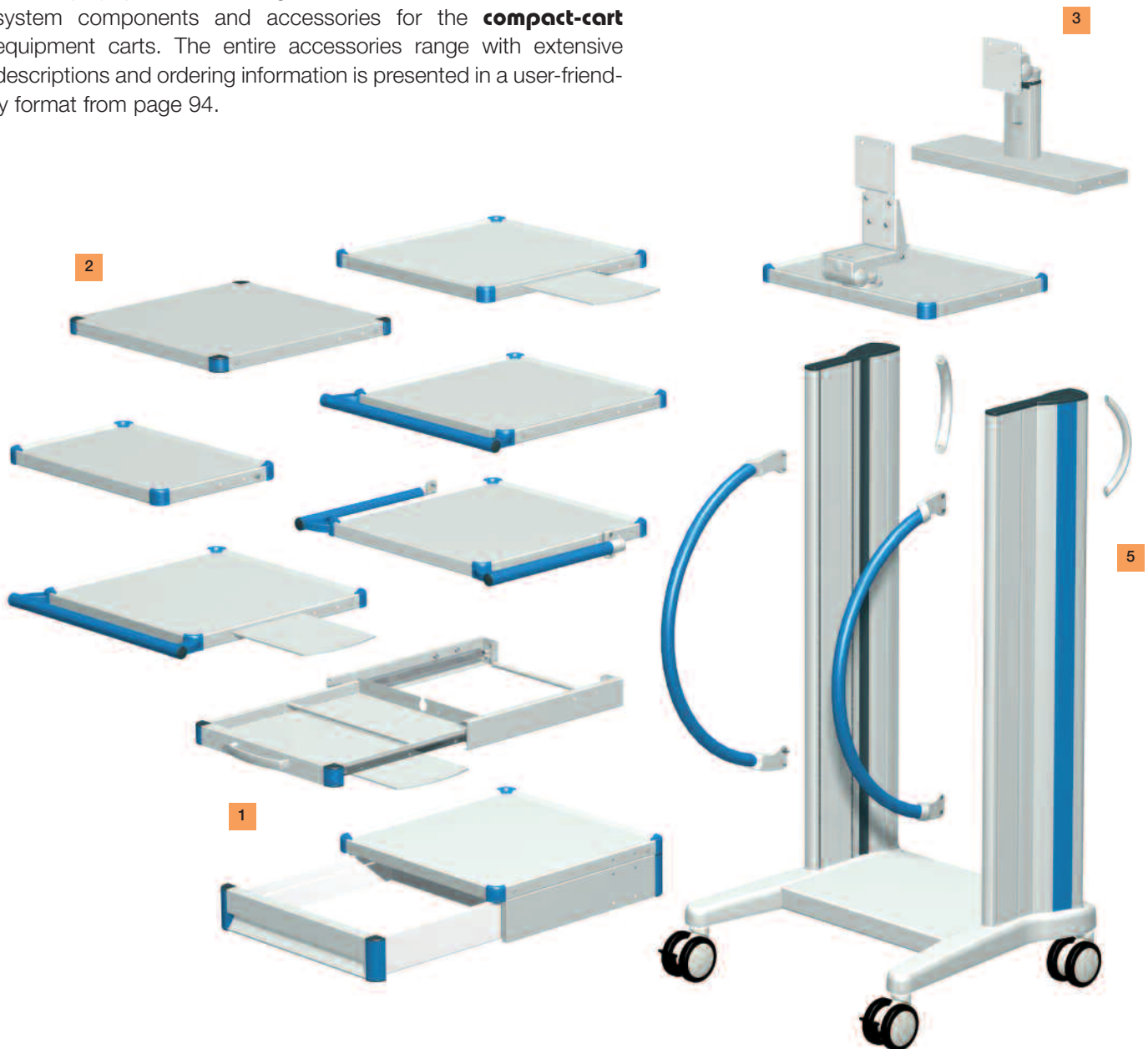
- Rubber lips permit cable entry and exit over the entire height of the support column.
- The power columns permit separate management of data lines and power cables.



# THE MODULAR SYSTEMS FOR INDIVIDUAL SOLUTIONS

The modular structure is the defining feature of the entire ITD product range. It allows all support systems to be configured, upgraded or modified for the specialist functions and application areas. This capability allows users to react fast and consistently to any changes or new customer requirements.

The display presented alongside shows a small selection of system components and accessories for the **compact-cart** equipment carts. The entire accessories range with extensive descriptions and ordering information is presented in a user-friendly format from page 94.





1 The **drawer** can be supplied in different versions.



2 The **shelf** can be supplied in different versions and the continuous raised edge offers your valuable equipment a secure platform.



3 The **monitor holder** accommodated on the shelf can be swivelled and tilts forward  $\pm 15^\circ$ .



4 An optionally attachable, lockable **power unit** accommodates socket strips and permits direct and concealed cabling.



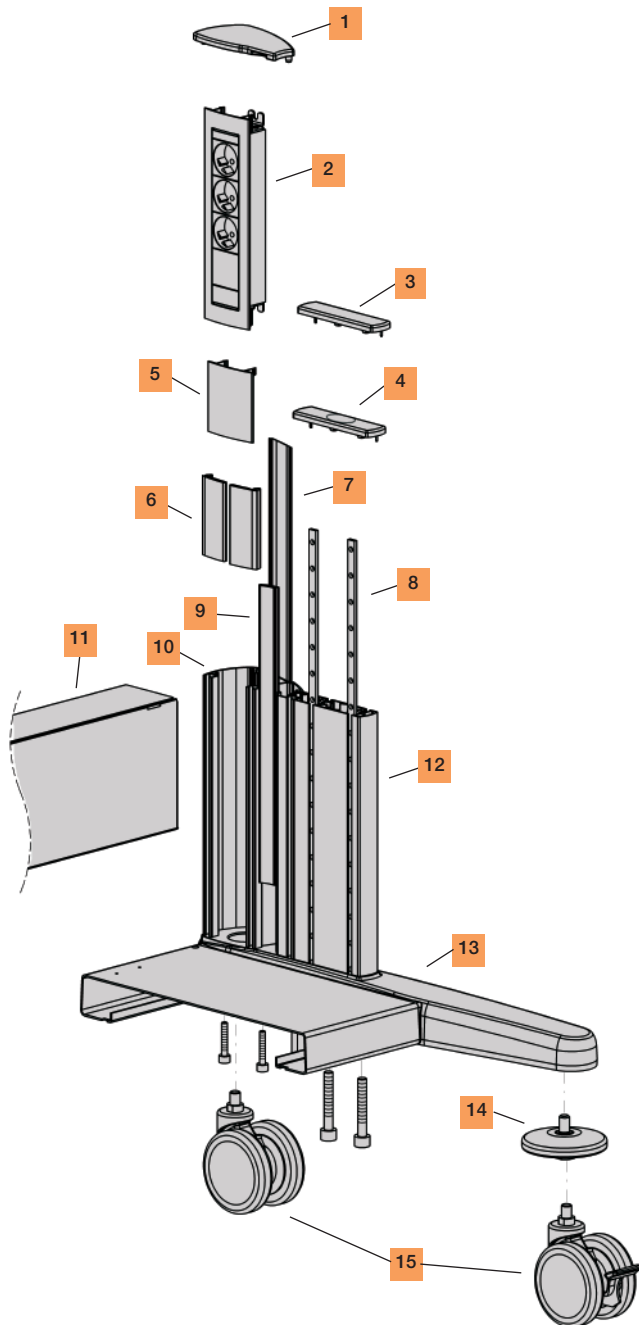
5 A **central on and off switch** is integrated in the power column – e.g. in conjunction with an isolating transformer – and is clearly visible.

For an overview of system components and accessories, see page

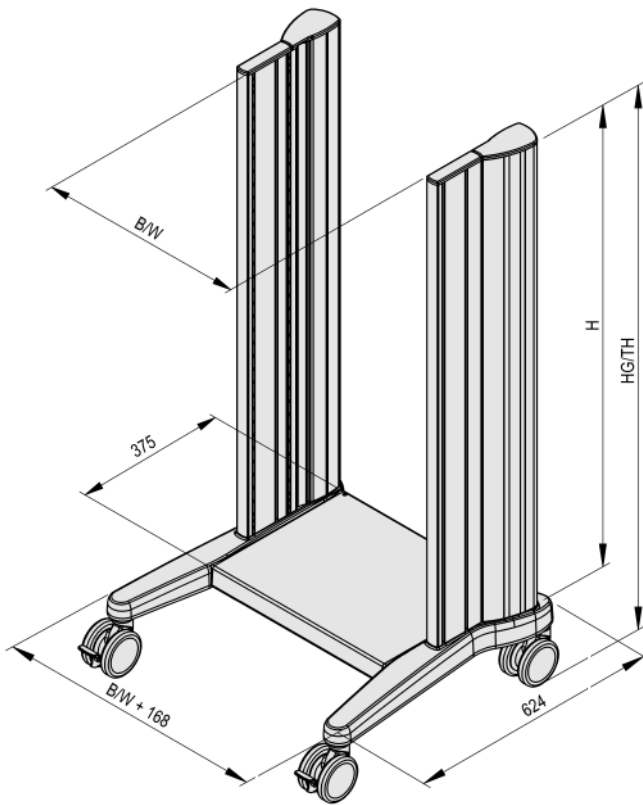
78



# DESIGN ELEMENTS AND DIMENSIONS



- 1** Cap of the power column made of plastic (ABS)
- 2** Socket strip for assembly in the power column
- 3** Cap of the vertical extrusions made of plastic (ABS)
- 4** Cap of the vertical extrusions made of plastic (ABS) with hole (Ø 25 mm), used when accessories are mounted in the guide
- 5** Cover strip for closing the power column (optional)
- 6** Cover strips made of soft plastic (EPDM), in RAL 7035 Light Grey
- 7** Decorative trim (made of extruded aluminium), in RAL 7035 (Light Grey), RAL 5015 (Sky Blue) or RAL 1003 (Signal Yellow), powder-coated
- 8** Tapped strip (made of steel) for mounting all system components in the cart interior (tapped holes M6 in increments of 32 mm)
- 9** Cover strips made of soft plastic (EPDM), in RAL 7043 Traffic grey B
- 10** Power column (made of extruded aluminium) for management of cables and socket strips
- 11** Lockable power unit as mounting for socket strips and large cable volumes
- 12** Vertical extrusion (made of extruded aluminium), in RAL 7035 (Light Grey), powder-coated
- 13** Base (made of sheet steel) with runners (made of cast aluminium) for accommodating castors
- 14** Wall protector (optionally supplied)
- 15** Twin swivel castors with Ø 100 mm or Ø 125 mm, two with wheel locks, optionally also supplied in conductive version



More detailed information on the basic frame is provided in the chapter System components and accessories on page 104).

| Total width<br>TW | Installation width<br>W |
|-------------------|-------------------------|
| 618 mm            | 450 mm                  |
| 668 mm            | 500 mm                  |
| 818 mm            | 650 mm                  |

| Installation height<br>H | Length of the extrusion<br>H | TH for Castors<br>Ø 100 mm | TH for Castors<br>Ø 125 mm |
|--------------------------|------------------------------|----------------------------|----------------------------|
| 30 U <sup>1)</sup>       | 960 mm                       | 1146 mm                    | 1171 mm                    |
| 35 U <sup>1)</sup>       | 1120 mm                      | 1306 mm                    | 1331 mm                    |
| 40 U <sup>1)</sup>       | 1280 mm                      | 1466 mm                    | 1491 mm                    |

## Load capacity

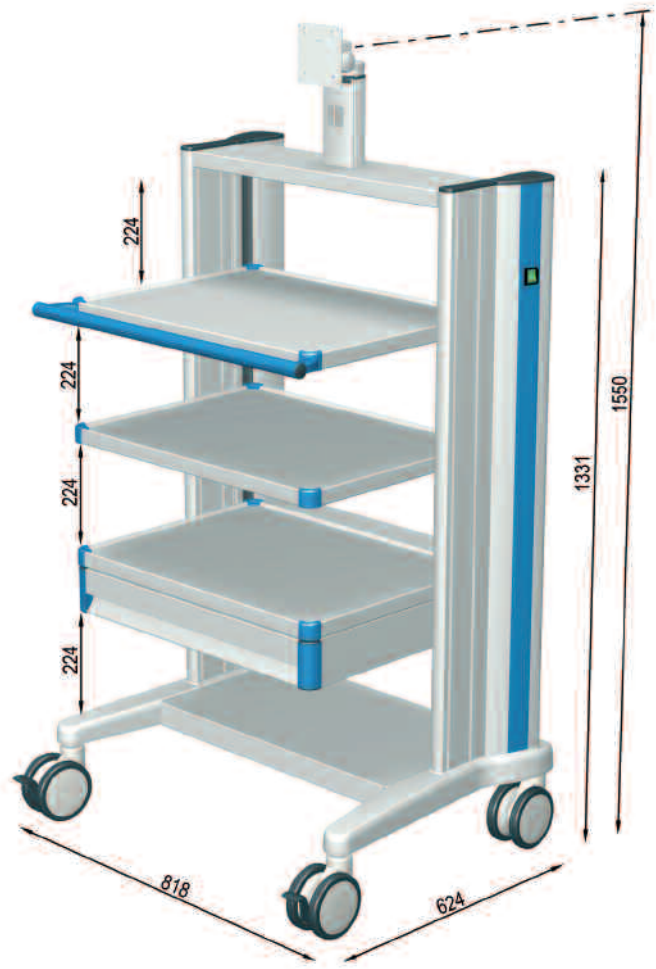
|                             |                    |
|-----------------------------|--------------------|
| ■ Basic frame total payload | 180 kg / 396.0 lbs |
| ■ Shelf                     | 50 kg / 110.0 lbs  |
| ■ Shelf pullout             | 20 kg / 44.0 lbs   |
| ■ Drawer                    | 5 kg / 11.0 lbs    |

## Setup

- 1 base
- 4 twin swivel castors with Ø 100 mm or Ø 125 mm, two with wheel locks. All sizes are also supplied in a conductive version.
- 2 vertical extrusions each with 2 tapped strips (32 mm increments)
- 2 power columns with caps and cover strips
- Supplied fully assembled

<sup>1)</sup> 1 U = 32 mm

# ORDER CONFIGURATIONS



**compact-cart Video cart, 35 U<sup>1)</sup>**  
**Installation width W 500 mm**  
**Order number CC.5080.XXX <sup>2)</sup>**

Basic frame **Profi 35 U<sup>1)</sup>**, 1306 mm,  
 fitted with:

- 4 twin swivel castors ø 100 mm,  
2 with wheel locks
- 3 shelves
- 1 shelf with side handles
- 1 block of drawers
- 1 keyboard drawer with mousepad
- 1 monitor crosspiece with universal bracket  
for monitors up to 14 kg / 30.8 lbs

**Load capacity:** 180 kg / 396 lbs

**Finish:**

- RAL 7035 Light Grey powder-coated
- **Decorative trims and handles** see optionally <sup>2)</sup>

**compact-cart Video cart, 35 U<sup>1)</sup>**  
**Installation width W 650 mm**  
**Order number CC.6582.XXX <sup>2)</sup>**

Basic frame **Profi 35 U<sup>1)</sup>**, 1331 mm,  
 fitted with:

- 4 twin swivel castors ø 125 mm,  
2 with wheel locks
- 1 shelf with handle
- 2 shelves
- 1 block of drawers
- 1 monitor crosspiece with swivel and tilt VESA 100  
adaptor for monitors up to 14 kg / 30.8 lbs
- 1 Power-Unit
- 1 socket strip earthed 8-way with central  
on and off switch

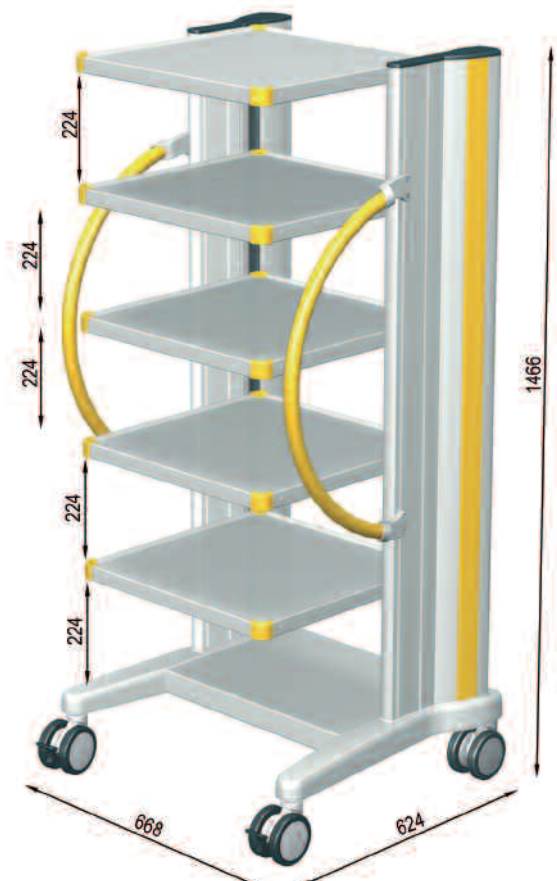
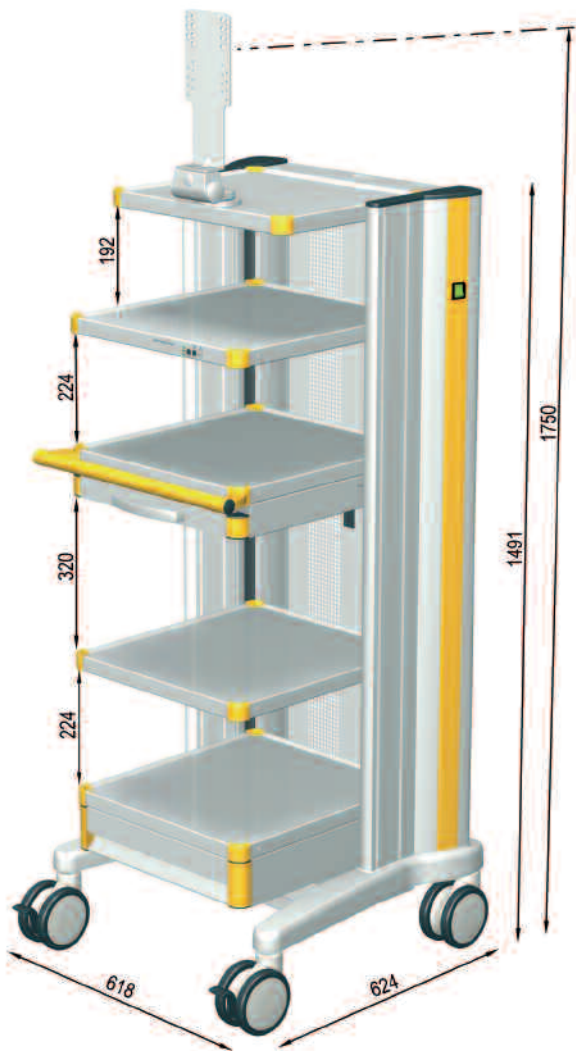
**Load capacity:** 180 kg / 396 lbs

**Finish:**

- RAL 7035 Light Grey powder-coated
- **Decorative trims and handles** see optionally <sup>2)</sup>

<sup>1)</sup> 1 U = 32 mm

<sup>2)</sup> **Trim colour:** Make sure you replace .XXX with .903 = RAL 7035 Light Grey, .908 = RAL 5015 Sky Blue, .903 = RAL 1003 Signal Yellow



**compact-cart Video cart with isolating transformer, 40 U<sup>1)</sup>**  
Installation width W 450 mm

Order number VT.4500.XXX <sup>2)</sup>

Basic frame **Profi 40 U<sup>1)</sup>**, 1491 mm, fitted with:

- 4 twin swivel castors ø 125 mm, conductive, 2 with wheel locks
- 4 shelves
- 2 rear doors
- 1 keyboard drawer with mousepad
- 1 block of drawers
- 1 monitor shelf with swivel and tilt VESA 100 adaptor for monitors up to 14 kg / 30.8 lbs
- 1 isolating transformer with 2000 VA (Technical description in the accessories section from page 176)

**Load capacity:** 180 kg / 396 lbs

**Finish:**

- RAL 7035 Light Grey powder-coated
- **Decorative trims and handles** see optionally <sup>2)</sup>

**compact-cart Video cart, 40 U<sup>1)</sup>**  
Installation width W 500 mm

Order number CC.5081.XXX <sup>2)</sup>

Basic frame **Profi 40 U<sup>1)</sup>**, 1460 mm, fitted with:

- 4 twin swivel castors ø 100 mm, 2 with wheel locks
- 2 vertical rounded handles front
- 5 shelves

**Load capacity:** 180 kg / 396 lbs

**Finish:**

- RAL 7035 Light Grey powder-coated
- **Decorative trims and handles** see optionally <sup>2)</sup>

<sup>1)</sup> 1 U = 32 mm

<sup>2)</sup> **Trim colour:** Make sure you replace .XXX with .903 = RAL 7035 Light Grey, .908 = RAL 5015 Sky Blue, .903 = RAL 1003 Signal Yellow

# OVERVIEW

## SYSTEM COMPONENTS AND ACCESSORIES

|   |  |  |                           |                           |                           |
|---|--|--|---------------------------|---------------------------|---------------------------|
| Basic frames                                      | Profi  | Installation width                               | W 450                     | W 500                     | W 650                     |
|   |  | Height 30 U                                      | CC.4503.XXX               | CC.5003.XXX               | CC.6503.XXX <sup>1)</sup> |
|   |  | 35 U   | CC.4504.XXX               | CC.5004.XXX               | CC.6504.XXX <sup>1)</sup> |
|   | Economy  | 40 U   | CC.4505.XXX               | CC.5005.XXX               | CC.6505.XXX <sup>1)</sup> |
|   |  | Height 21 U                                      | EB.4502.XXX               | EB.5002.XXX               | EB.6502.XXX <sup>1)</sup> |
|   |  | 30 U   | EB.4503.XXX               | EB.5003.XXX               | EB.6503.XXX <sup>1)</sup> |
|   |  | 35 U   | EB.4504.XXX               | EB.5004.XXX               | EB.6504.XXX <sup>1)</sup> |
| 40 U  | EB.4505.XXX  | EB.5005.XXX                                      | EB.6505.XXX <sup>1)</sup> |                           |                           |
| Rear door   | for installation width   | W 450  | W 500                     | W 650                     |                           |
|   |  | Height 30 U                                      | CC.4560.991               | CC.5060.991               | CC.6560.991               |
|   |  | 35 U   | CC.4561.991               | CC.5061.991               | CC.6561.991               |
|   |  | 40 U   | CC.4562.991               | CC.5062.991               | CC.6562.991               |
| Castor conversion kits                            | Ø 100 mm, conductive, instead of standard Ø 100 mm             |  | ZV.9428.999               |                           |                           |
|   | Ø 125 mm, conductive, instead of standard Ø 100 mm             |  | ZV.9923.999               |                           |                           |
|   | Ø 125 mm, conductive, instead of standard Ø 100 mm, conductive |  | ZV.9924.999               |                           |                           |
| Shelf   | for installation width   | W 450  | W 500                     | W 650                     |                           |
|   |  | without handle                                   | CC.4520.XXX               | CC.5020.XXX               | CC.6520.XXX <sup>1)</sup> |
|   |  | with push/lift handle                            | CC.4521.XXX               | CC.5021.XXX               | CC.6521.XXX <sup>1)</sup> |
|   |  | with side handles                                | CC.4524.XXX               | CC.5024.XXX               | CC.6524.XXX <sup>1)</sup> |
|   |  | with mousepad                                    | CC.4522.XXX               | CC.5022.XXX               | CC.6522.XXX <sup>1)</sup> |
|   |  | with mousepad and handle                         | CC.4523.XXX               | CC.5023.XXX               | CC.6523.XXX <sup>1)</sup> |
|   |  | for insulation monitor                           | CC.4525.XXX               | CC.5025.XXX               | CC.6525.XXX <sup>1)</sup> |
|   |  | depth 320 mm                                     | CC.4528.XXX               | CC.5028.XXX               | CC.6528.XXX <sup>1)</sup> |
| depth 320 mm for retrofitting with monitor holder | CC.4527.XXX  | CC.5027.XXX                                      | CC.6527.XXX <sup>1)</sup> |                           |                           |
| Keyboard drawer                                   | with mousepad  | CC.4550.XXX                                      | CC.5050.XXX               | CC.6550.XXX <sup>1)</sup> |                           |
| Computer holder                                   |  |  | GW.0709.991               |                           |                           |
|   |  |  | TS.6441.991               |                           |                           |
| Monitor holder                                    | for installation width   | W 450  | W 500                     | W 650                     |                           |
|   |  | crosspiece with monitor holder for 17,6 lbs      | CC.4531.991               | CC.5031.991               | CC.6531.991               |
|   |  | crosspiece with monitor holder for 30,8 lbs      | CC.4532.991               | CC.5032.991               | CC.6532.991               |
|   |  | monitor shelf with monitor holder up to 30,8 lbs | CC.4529.XXX               | CC.5029.XXX               | CC.6529.XXX <sup>1)</sup> |
| Monitor holder                                    | on the side of vertical extrusion                              |  | GW.0708.991               |                           |                           |
| Drawer  | for installation width   | W 450  | W 500                     | W 650                     |                           |
|   |  | 1-unit, 3 U high                                 | CC.4540.XXX               | CC.5040.XXX               | CC.6540.XXX <sup>1)</sup> |
|   |  | 1-unit, 6 U high                                 | CC.4541.XXX               | CC.5041.XXX               | CC.6541.XXX <sup>1)</sup> |
| Basket  |  |  | ZV.9967.800               |                           |                           |
| Gallery   | for installation width   | W 450  | W 500                     | W 650                     |                           |
|   |  | for shelf/drawer                                 | ZV.9632.999               | ZV.9633.999               | ZV.9634.999               |
| Endoscope holder                                  | mounting in the vertical extrusion                             | single   |                           | double                    |                           |
|   |  | GW.0393.800                                      |                           | GW.0472.800               |                           |
|   |  | GW.0394.991                                      |                           | GW.0473.991               |                           |
| Connector holder                                  |  |  | ZV.9833.999               |                           |                           |
| Hose holder                                       |  |  | GW.9882.999               |                           |                           |
| Camera holder                                     | assembly at the side on the shelf                              |  | GW.9990.999               |                           |                           |
|   | with clamp   |  | GW.9983.991               |                           |                           |
|   | with mounting  |  | GW.9808.991 <sup>1)</sup> |                           |                           |

<sup>1)</sup> **Trim colour:** Make sure you replace .XXX with .903 = RAL 7035 Light Grey, .908 = RAL 5015 Sky Blue, .903 = RAL 1003 Signal Yellow

|                            |   |  |                            |                         |               |
|----------------------------|---|--|----------------------------|-------------------------|---------------|
| Cable holder               | for safe and gentle accommodation                       |  |                            |                         | GW.9807.991   |
| Gel bottle holder          |   |  |                            |                         | GW.0800.991   |
| Bottle holder              | for D 120 mm, 1 l                                       |  |                            |                         | GW.0400.991   |
|                            | for D 145 mm, 2 l                                       |  |                            |                         | GW.0401.991   |
|                            | for rinsing bottle                                      |  |                            |                         | GW.9805.999   |
| Gas bottle holder          | for gas bottles with max. 2 l content                   |  |                            |                         | GW.0466.991   |
|                            | for gas bottles with Ø 145 mm, 3 l / 5 l / 10 l content |  |                            |                         | GW.0160.991   |
|                            | for gas bottles with Ø 205 mm, 20 l / 50 l              |  |                            |                         | GW.0285.991   |
| Infusion stand             | 4-arm   | with one hand - adjustment, 4 x 2 kg     |                            |                         | ZV.9882.800   |
|                            | 4-arm   | with one hand - adjustment, 4 x 5 kg     |                            |                         | ZV.9464.800   |
| Standard runner            |   |  |                            |                         | GW.9801.991   |
| Anchor                     |   |  |                            |                         | ZV.9820.799   |
| Holder for suction system  |   |  | Strässle/Ergoline          | Hellige/KISS            | Ohlenschläger |
|                            |   |  | GW.0570.991                | GW.0702.991             | GW.0704.991   |
| Foot switch shelf / cradle |   |  |                            |                         | ZV.9991.991   |
| Holder for transducer      |   |  |                            |                         | GW.0843.991   |
| Box holder                 | "Dracula"   |  |                            |                         | ZV.9832.999   |
| Pivot arm                  | single, with VESA 75/100 adaptation for flat screen     |  |                            |                         | TS.6063.991   |
|                            | double, with VESA 75/100 adaptation for flat screen     |  |                            |                         | TS.6064.991   |
| Variable height arm        | length 400 mm   |  | L 400 mm                   |                         | ZV.9538.999   |
|                            | single  | Load capacity 8 kg / 17.6 lbs            | L 750 mm                   |                         | ZV.9741.999   |
|                            |   | Load capacity 10 - 13 kg / 22 - 28.6 lbs | L 750 mm                   |                         | ZV.9724.999   |
|                            | double  | Load capacity 8 kg / 17.6 lbs            | L 1190 mm                  |                         | ZV.9740.999   |
|                            |   | Load capacity 10 - 13 kg / 22 - 28.6 lbs | L 1190 mm                  |                         | ZV.9721.999   |
| Jointed arm                | with hose clamps, for cable management                  |  |                            |                         | ZV.9955.799   |
| Handle                     | in front  |  |                            |                         | FC.0217.XXX   |
|                            | rear  |  |                            |                         | FC.0215.991   |
| Socket strips              | 6-way EURO  |  |                            |                         | ZV.9562.999   |
|                            | 6-way earthed   |  |                            |                         | ZV.9563.999   |
|                            | 8-way earthed   |  |                            |                         | ZV.9564.999   |
|                            | 8-way earthed with switch                               |  |                            |                         | ZV.9565.999   |
|                            | 8-way earthed with central on / off switch              |  |                            |                         | ZV.9566.999   |
|                            | 6-way French standard                                   |  |                            |                         | ZV.9567.999   |
| Socket strip mounting kit  |   |  |                            |                         | FC.0302.991   |
| Power-Unit                 |   | for installation width                   | W 450                      | W 500                   | W 650         |
|                            |   |  | CC.4564.XXX                | CC.5064.XXX             | CC.6564.XXX   |
| Isolating transformer      |   |  | without insulation monitor | with insulation monitor |               |
|                            | 1200 VA with 6-way socket strip Euro                    |  | ZV.9482.999                | ZV.9483.999             |               |
|                            | 2000 VA with 8-way socket strip Euro                    |  | ZV.9497.999                | ZV.9496.999             |               |

You will find a comprehensive description and ordering information on all components suitable for **compact-cart** in the **system components and accessories** section.

**System components and accessories** from page

94

**Order number index** from page

180